

# FT-1F FLEXITEST SWITCH OUTLINE AND DRILLING PLAN

## OUTLINE

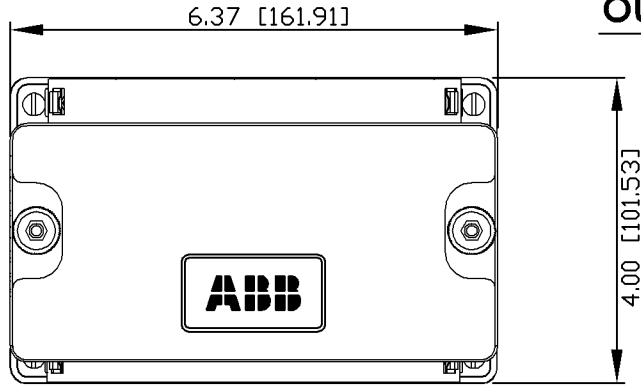
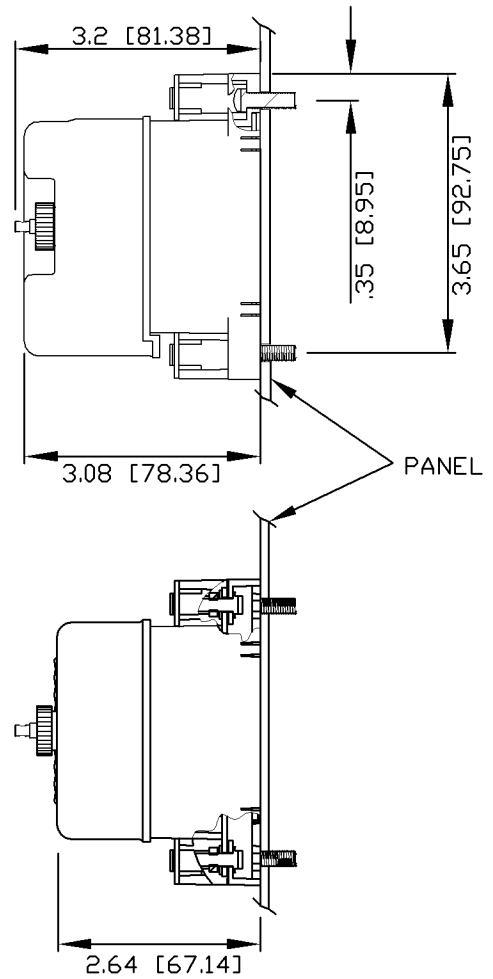


FIG 1. FT-1F WITH CLEAR COVER



TERMINAL COVER  
REMOVED TO SHOW  
DETAIL

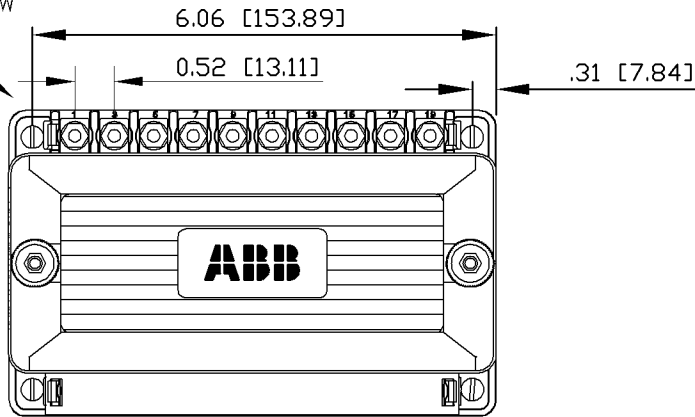


FIG 2. FT-1F WITH BLACK COVER

## DRILLING PLAN

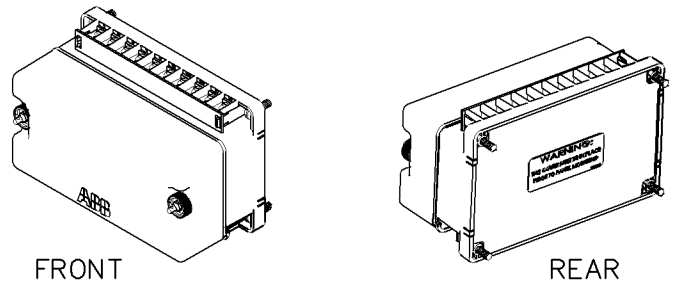
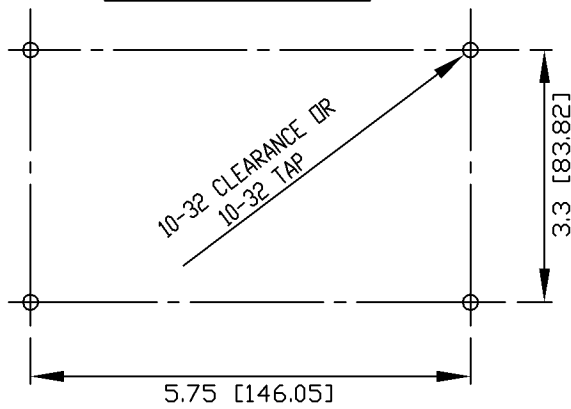



FIG 3. ISOMETRIC VIEWS  
FT-1F WITH CLEAR COVER

DIMENSIONS: INCHES [mm]

ECO EM2007-1077	2	<p>The information contained in this document has to be kept strictly confidential. Any unauthorized use, reproduction, distribution or disclosure to third parties is strictly forbidden.</p> <p>ABB reserves all rights regarding Intellectual Property Rights.</p> <p>SOFTWARE TYPE: AUTOCAD 2006</p> <p>ENG. REF: 1616C24</p> <p>ABB Protective Relays and Switches, Coral Springs FL, U.S.A.</p>	DFTR/DATE: M. Uriguen 09/14/07		
			CHKR/DATE: M. Uriguen 09/14/07		
			APPR/DATE: T. Masters 09/14/07		
			<p>TITLE:</p> <h2 style="margin: 0;">FT-1F OUTLINE &amp; DRILL PLAN</h2>		SIZE: <b>A</b>
			SCALE: NONE		SHEET 1 OF 1