

FT-14 FLEXITEST SWITCH OUTLINE AND DRILLING PLAN

OUTLINE

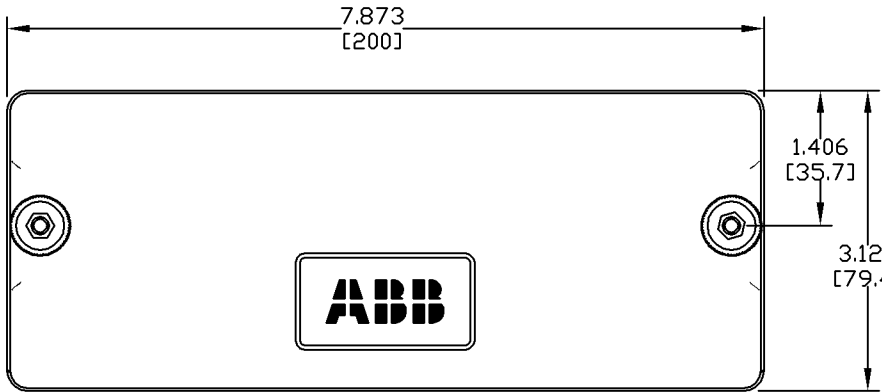
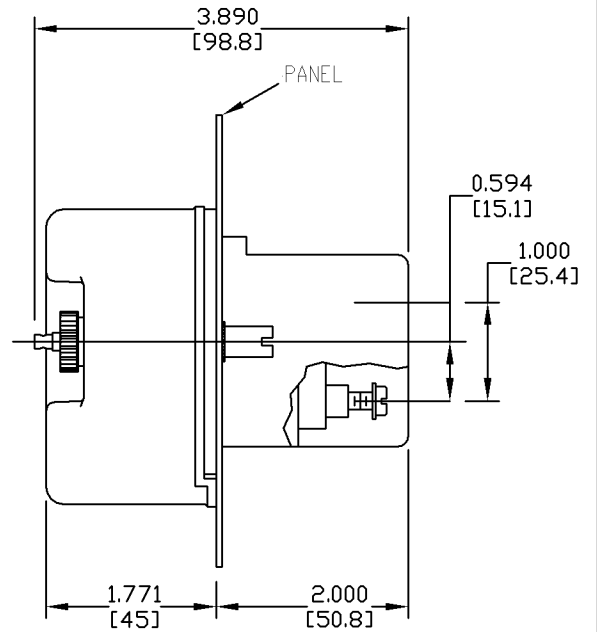
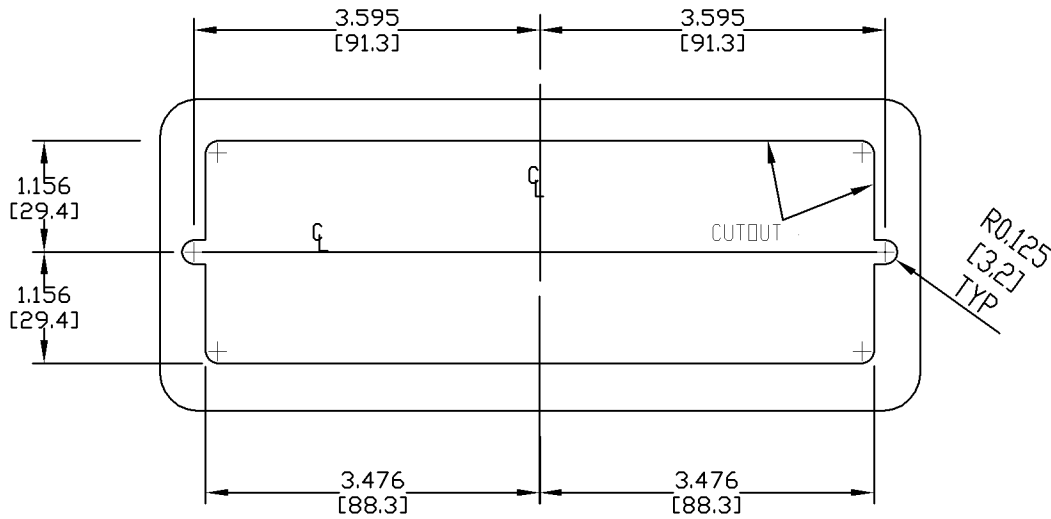


FIG 1. FT-14 WITH CLEAR COVER



DRILLING PLAN



DIMENSIONS: INCHES [mm]

2

ECO EM2007-1077

The information contained in this document has to be kept strictly confidential. Any unauthorized use, reproduction, distribution or disclosure to third parties is strictly forbidden.
ABB reserves all rights regarding Intellectual Property Rights.

SOFTWARE TYPE:
AUTOCAD 2006

ENG. REF:
1616C24

ABB Protective Relays and Switches, Coral Springs FL, U.S.A.

DFTR/DATE: M. Uriguen 09/14/07

CHKR/DATE: M. Uriguen 09/14/07

APPR/DATE: Tim Masters 09/14/07

TITLE:

**FT-14
DRILLING PLAN**

© Copyright 2005 ABB
All rights reserved

SIZE
A

DWG. NO:
9666A30

REV:
2

SCALE:
NONE

SHEET 1 OF 1

